

Roller Shade Components and Part Numbers

Brackets & Covers (Projection in inches)

	<u>1.5" Projection</u>	<u>2 Inch</u>	<u>Heavy Duty</u>
R8	RB360*	RB380*	n/a
R8 Bkt Cover	RBPC360(BK,W)	RBPC380(BK,W)	n/a
R16	RB560*	RB580*	RBGAL
R24	n/a	RB580*	RRGAL

*Standard: nickel plated, also available: black (BK) & white (W)

#10 Bead Chain: #RBC5M
 Stop Balls: #RCMSB
 Bead Chain Pliers: #RBCPL2
 #10 Plastic Bead Chain: 100' roll: #RBC1(V,BK,G,W),
 820' roll: #RBC8(V,BK,G,W)
 Plastic Connectors: #RCP
 R3/R8 D-30 Control Cord: RDC_ _ (V,W)
 Control Cord Warning Tags: #CORDTAG
 Mounting Screws
 #6 x 3/4 inch Hex Head with Slot: #SC6750H500
 #6 x 5/8 Combination Phillips/Slot Head: #SC6625C500
 Fabric Shade Clips: # FSC
 Tension Devices (required) 100 quantity: #TD100ST,
 1,000 quantity: #TD1000ST
 Color Codes: Vanilla (V), White (W), Bronze (BZ),
 Gray (G), Anodized (A), Black (BK)

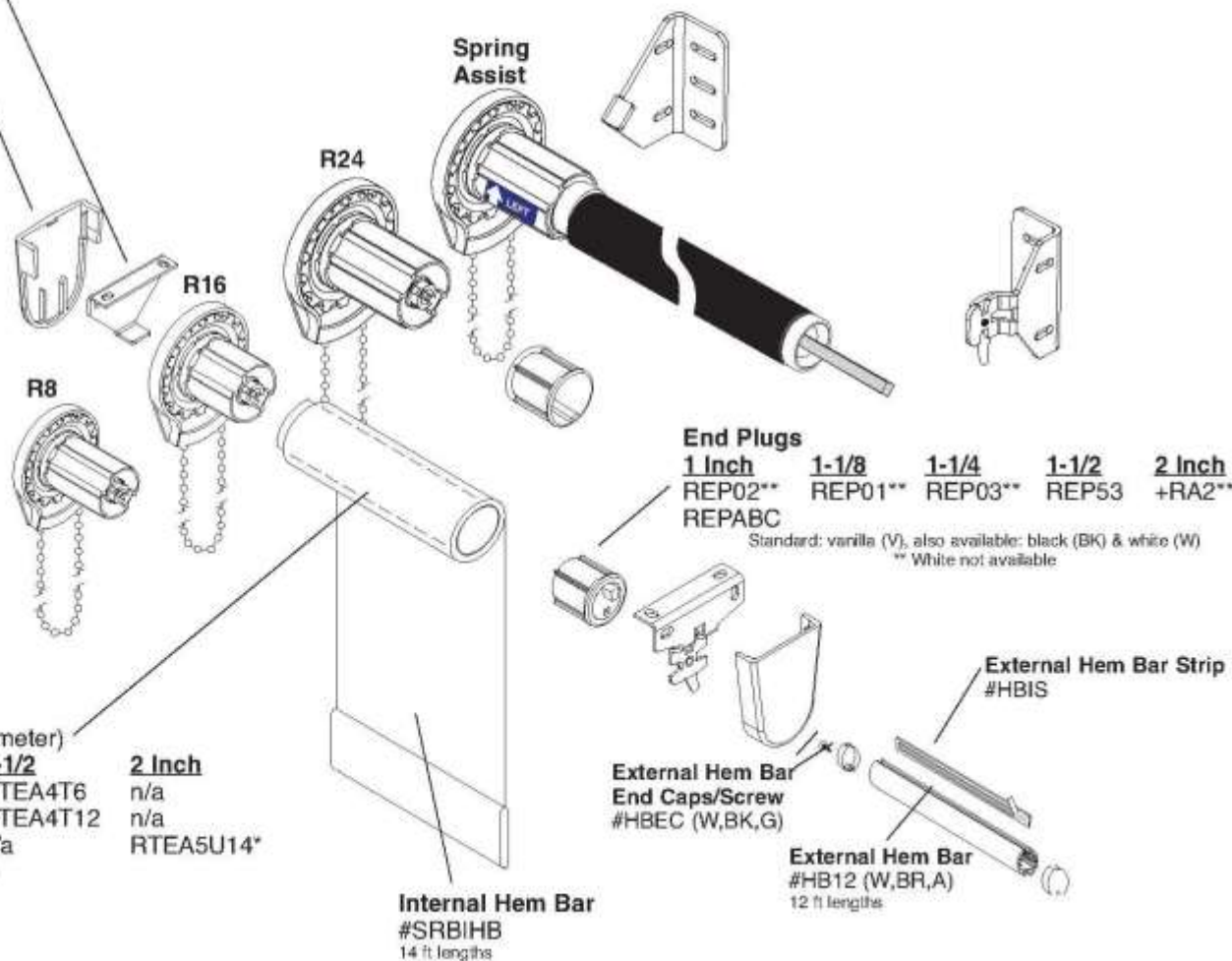
	<u>Extruded Tube (outside diameter)</u>				
	<u>1 Inch</u>	<u>1-1/8</u>	<u>1-1/4</u>	<u>1-1/2</u>	<u>2 Inch</u>
6'	RTEA1T6	RTEA2T6	RTEA3T6	RTEA4T6	n/a
12'	RTEA1U12	RTEA2U12	RTEA3T12	RTEA4T12	n/a
14'	n/a	n/a	n/a	n/a	RTEA5U14*

*Tape: #TAPE36 (for taping 2 inch tube above)

	<u>Clutch Part Numbers</u>				
<u>Tube:</u>	<u>1" Tube</u>	<u>1-1/8"</u>	<u>1-1/4"</u>	<u>1-1/2"</u>	<u>2"</u>
R-8	R8C02*	R8C01*	R8C03*	R8C14*	+RA2**
R-16	n/a	n/a	n/a	R16C53*	+RA2**
R-24	n/a	n/a	n/a	R24C53**	+RA2**
Spring Assist	n/a	n/a	n/a	SA24(R/L)	+RA2**

*Standard: vanilla (V), also available: black (BK) & white (W)

** White not available



End Plugs

<u>1 Inch</u>	<u>1-1/8</u>	<u>1-1/4</u>	<u>1-1/2</u>	<u>2 Inch</u>
REP02**	REP01**	REP03**	REP53	+RA2**

Standard: vanilla (V), also available: black (BK) & white (W)

** White not available