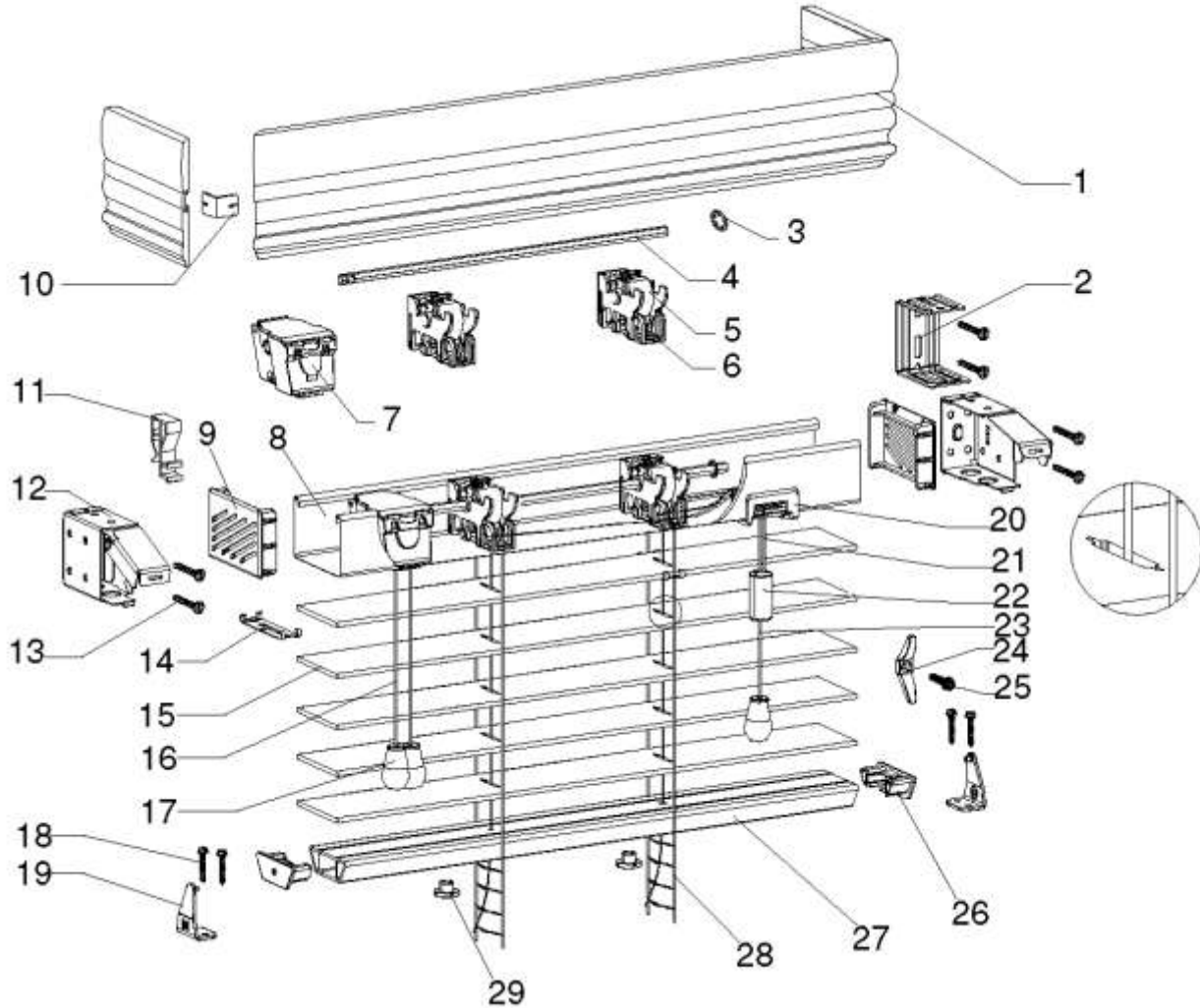


Fast Faux Shop Drawing



Item	Description	Item	Description	Item	Description
1	Crown Valance	2	Supporting Bracket	3	Ring Stopper
4	Shaft	5	Drum	6	Drum Support
7	Cord Tilter	8	Steel Head rail	9	End Cap
10	Valance Return Joinery	11	Valance Clip	12	Installation Bracket
13	Screw	14	First Slat Clip	15	Slat
16	Tilter Cord	17	Tassel	18	Screw
19	Hold Down Bracket	20	Cord Lock	21	Pull Cord
22	Cord Release Device	23	Tassel Cord	24	Cord Cleat
25	Screw	26	Bottom Rail End Cap	27	Bottom Rail
28	Cord Ladder	29	Bottom Rail Button		