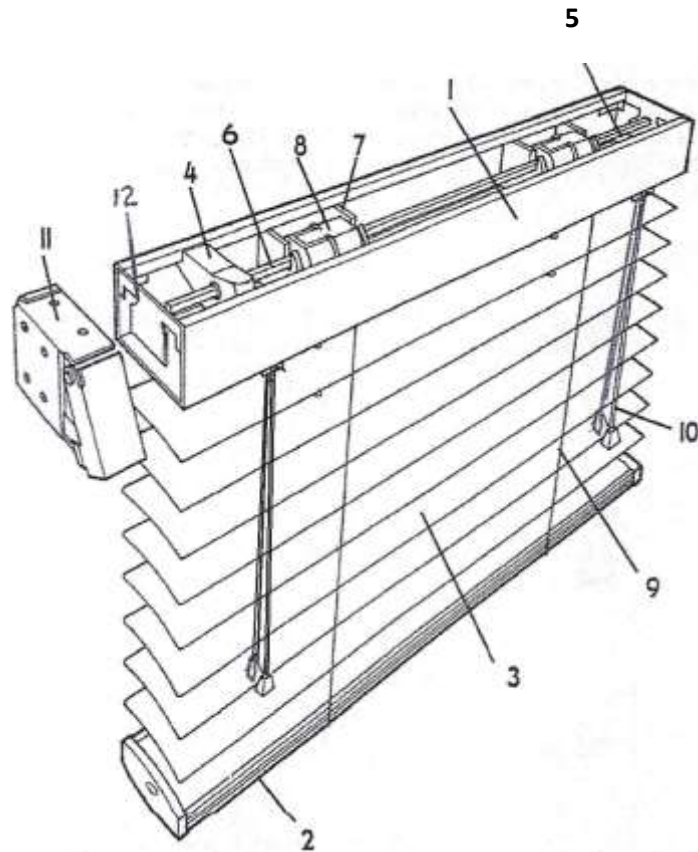


CACO, Inc., Window Fashions
P.O. Box 5547 • Johnson City, TN 37602

2" PVC Fashions Plus

Shop Drawing



- | | |
|-------------------------------|-----------------------------------|
| 1. 2" x 2" Steel head rail | 7. Tape drum support |
| 2. Steel enclosed bottom rail | 8. Tape drum |
| 3. 2" Aluminum 8 gauge slat | 9. Braided support ladder |
| 4. Cord tilter | 10. Lift cord with tassels |
| 5. Crash-proof cord lock | 11. Steel hinged mounting bracket |
| 6. Steel tilt rod | 12. Head rail end stiffeners |