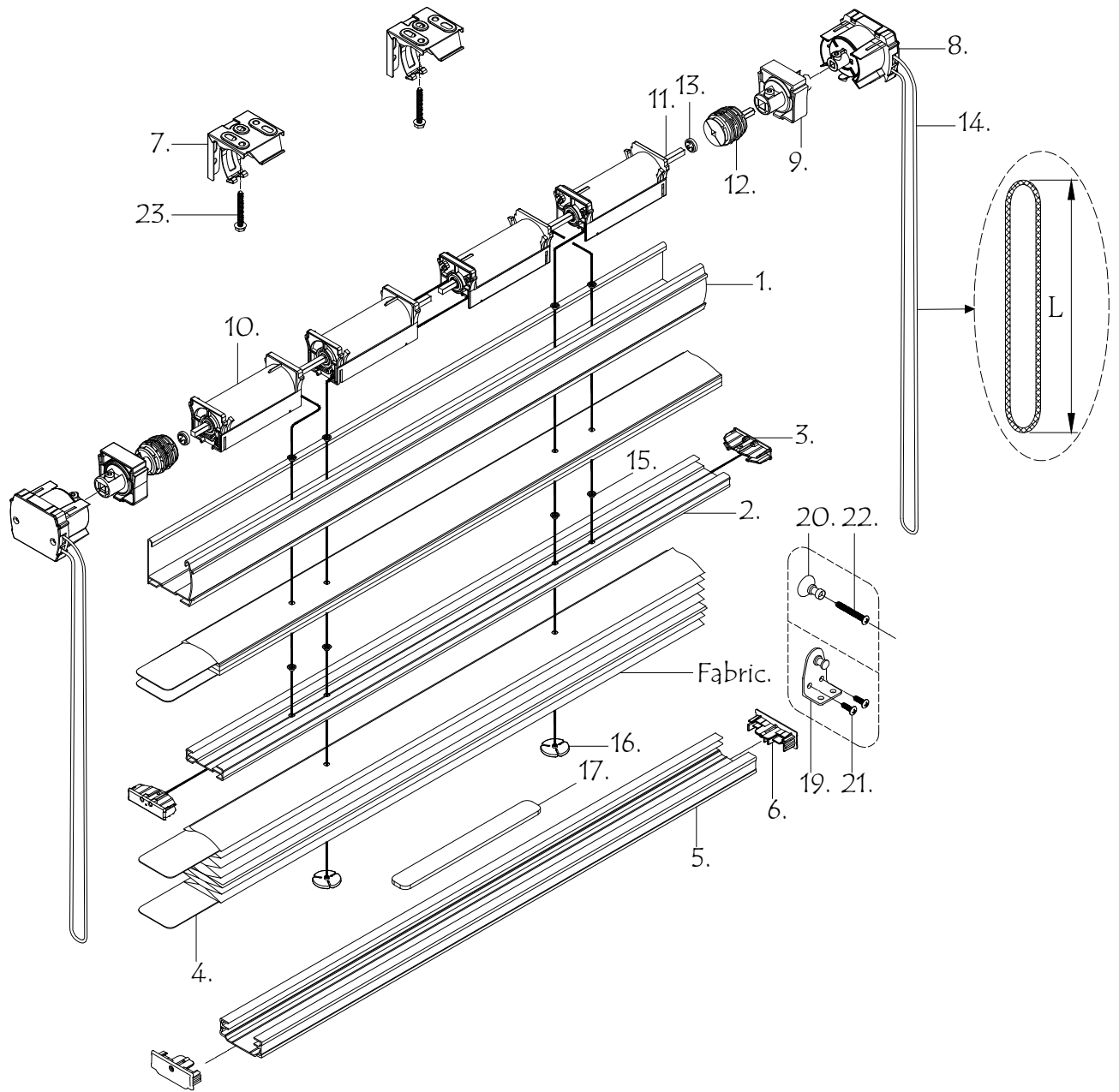


Cellular Clutch Top Down Bottom Up Shade Exploded View



1	PLP309	Alu. Head Rail PL ₃ (12'/pc) (Colored)	13	VBP2020	Tilter Rod End Washer 2T ₂ (Stainless)
2	PLP327R	Alu. Middle Rail PL ₃ (12'/pc) (Colored)	14	PLP117	Control Cord PL (Loop)(L=2',3',4',5',6',7',8'/pc) (Colored)
3	PLP317	Mid. Rail End Cap PL ₃ (Colored)	15	PLP118S	Eyelet PL ₁
4	PLP307	Rail Insert PL ₃ (Plastic in Coil)	16	PLP1011	Fix Button PL ₁ (Plastic)
5	PLP310	Alu. Bottom Rail PL ₃ (12'/pc) (Colored)	17	PLP107P	Weights With Double Face Tape PL ₁ (4"/PC),(8"/PC),(12"/PC)
6	PLP314N	Bottom Rail End Cap PL ₃ (Colored)			
7	PLP312RN	Mounting Bracket PL ₃ (Zinc Plated)	19	RBP123	L Bracket For Tension Device RB ₁ (Clear)
8	PLP113	Clutch PL (Colored)	20	RBP124	Round Bracket For Tension Device RB ₁ (Clear)
9	PLP144	Gear Box PL (Cotton Color)(WxD ≥ 3.24m ²)	21	2232062	Screw for L Bracket (Plated)
10	STP031	Cordless Module Housing ST (Without Spring)	22	2232162	Screw for Round Bracket (Plated)
11	VBP2015	Tilter Rod 2T ₂ (11.48'/pc) (Zinc Plated)	23	2233022	Screw for Mounting Bracket (Zinc Plated)
12	PLP120	Separator PL			