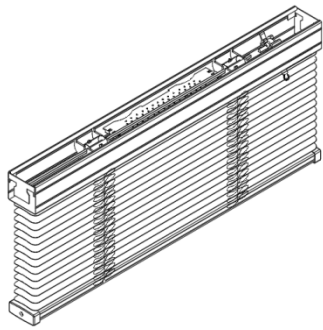


2" Cordless Aluminum Blind Installation and Care Instruction

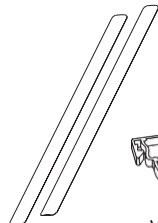
1. Identify your aluminum blind and parts (your parts may vary, depending on the custom request & size of the blind you are purchasing.)



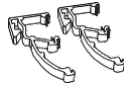
Aluminum Blind



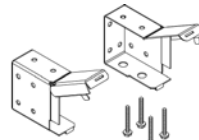
Wand



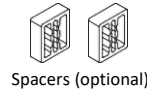
Valances



Valance clips



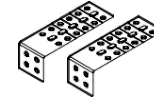
Box brackets & screws



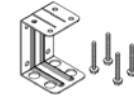
Spacers (optional)



Hold down brackets & screws (optional)



Extension brackets (optional)

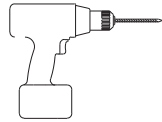


Center support & screws (for the blind wider than 36"W)

Blind Width	Center Support Quantity
< 36"	0
36" ~ 72"	1

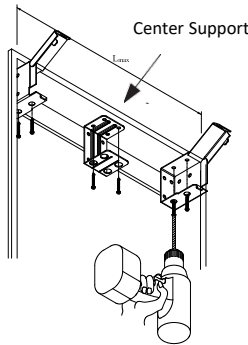
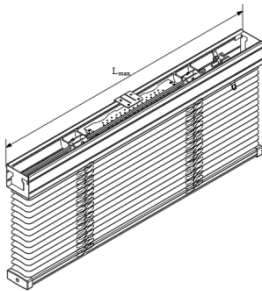
2. Tools you may need (not included)

- Drill with bits
- Screwdriver
- Metal tape measure
- Pen

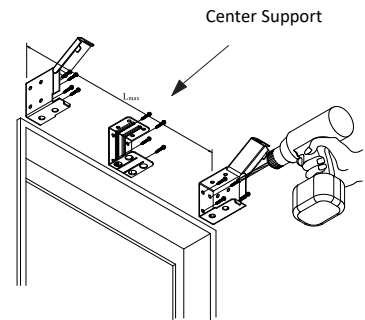


3. Mount the blind with the box brackets

- Mount the box brackets at the ends of the headrail. Use 2 screws per box bracket.
- One center support is applied when the blind is wider than 36"W. Please refer the center support quantity on the chart above.



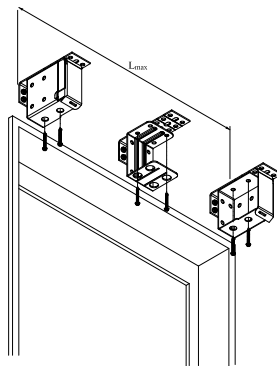
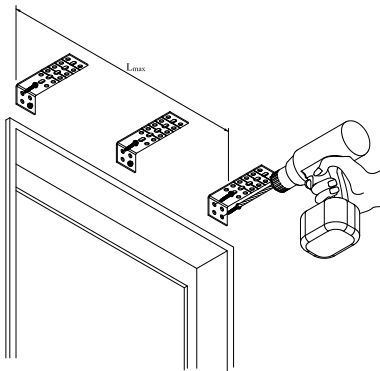
Inside Mount



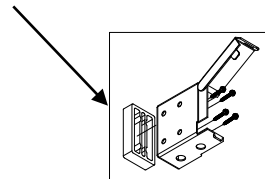
Outside Mount

- Install the blind with the extension brackets (optional)
 - Install the extension bracket with at least 2 screws.
 - Attach the box brackets (and the center support) to the extension brackets with the screws.

- The spacer is optional and is installed behind the box bracket (and the center support) when needed.



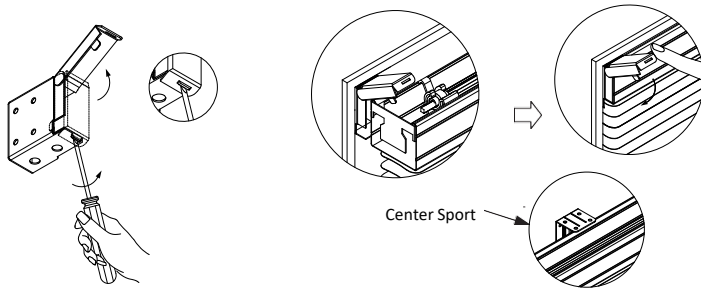
Spacers



Optional - Add the spacer behind the box bracket if needed.

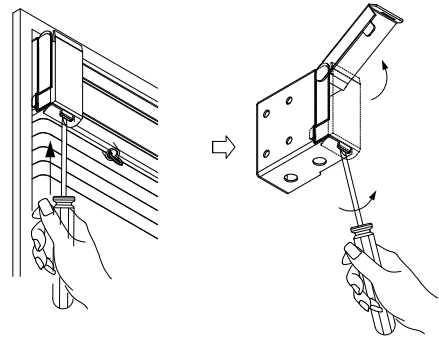
4. Mount the blind

- Unlock the box brackets with a flat head screwdriver.
- Mount the blind in the brackets (use the center support when the blind is wider than 48"W)
- Close the door on the bracket and hear a "click".



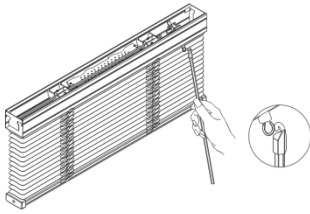
5B. To remove the blind from the box brackets

- Use a flat head screwdriver to open the door of the box bracket.
- Remove the blind.



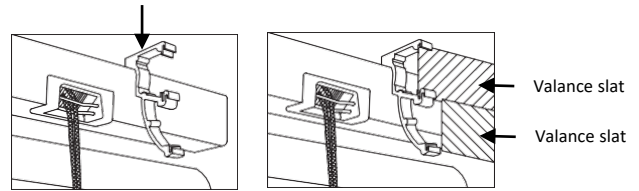
6. Attach the tilt wand

- Attach the tilt wand onto the wand hook located on the headrail.



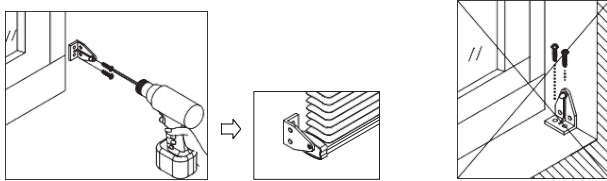
7. Install the valances

- Push the valance clip down onto the headrail until you hear it "clicks" into place.
- Slide the valance slats through the track of the valance clip.



8. Attach the optional hold down brackets

- Install the hold down brackets to the wall (for outside mount) or the jamb of the window frame (for inside mount), not on the sill of the window frame.
- Tighten the screws.



9. Care and cleaning

- Wipe the blind periodically with a soft dust cloth or dusting mitt, or vacuum with a soft brush attachment.
- You may clean the blinds using a non-scratched sponge or dampened soft cloth with a mild nonabrasive detergent. Never use hot water, solvents, harsh or abrasive cleansers to clean the blinds.
- Note: The warranty for your blinds does not cover damage caused by improper cleaning.



To Operate Your Blind

Important: Always tilt the slats horizontally before raising or lowering the blind. This step increases the life of the blind.

To Lower Your Blind

Simply pull the bottom rail down with 2 hands until the blind reaches your desired level. The blind locks automatically.

To Raise Your Blind

Raise the bottom rail with 2 hands until the blind reaches the desired height. The blind locks automatically.

To Tilt Your Blind

Rotate the wand to attain desired slat position.

