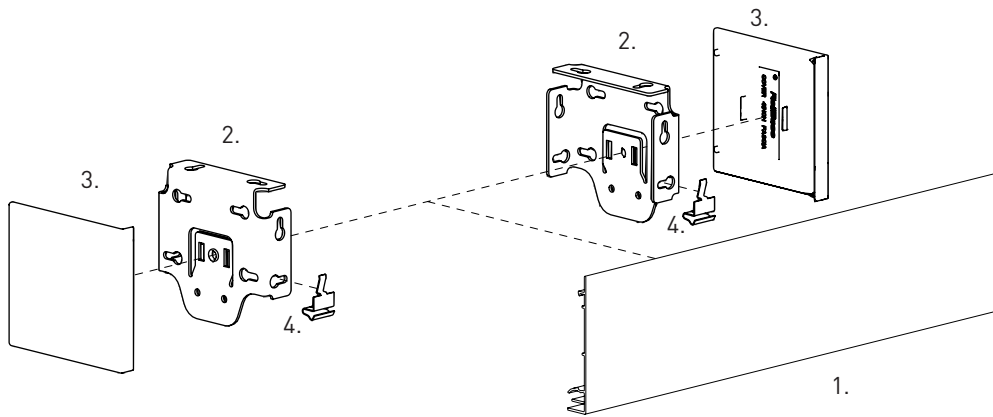


GENERAL SCHEMATICS

4" FASCIA

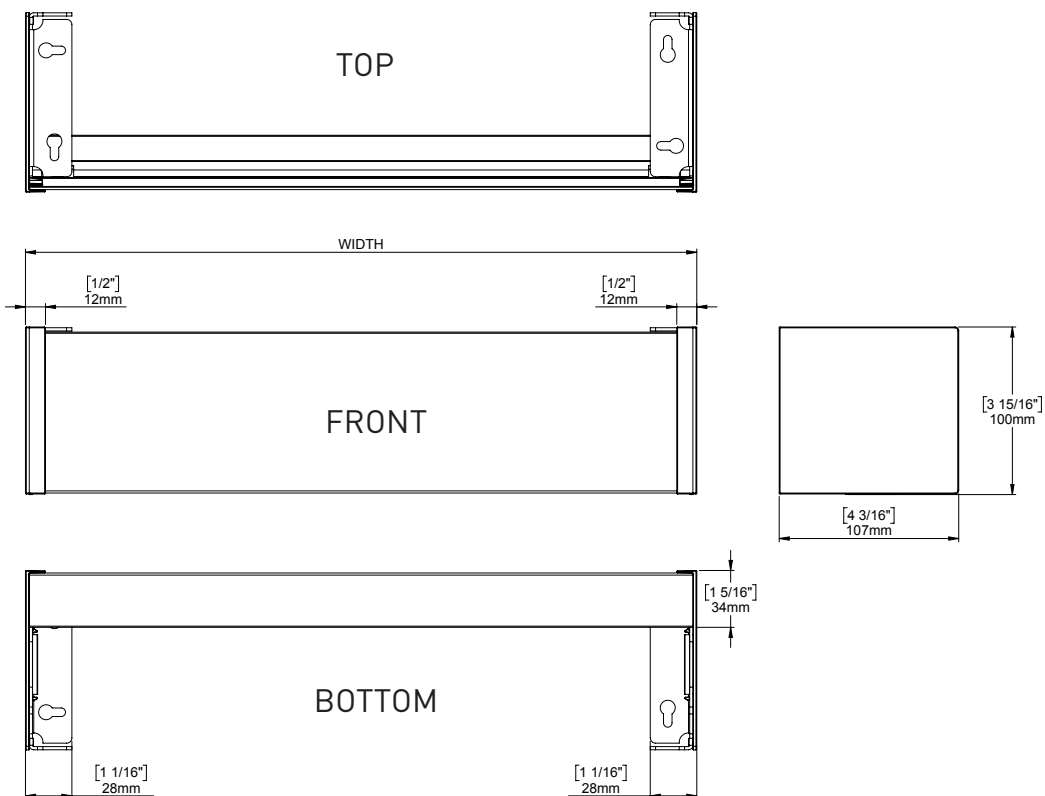


SYSTEM INDEX:

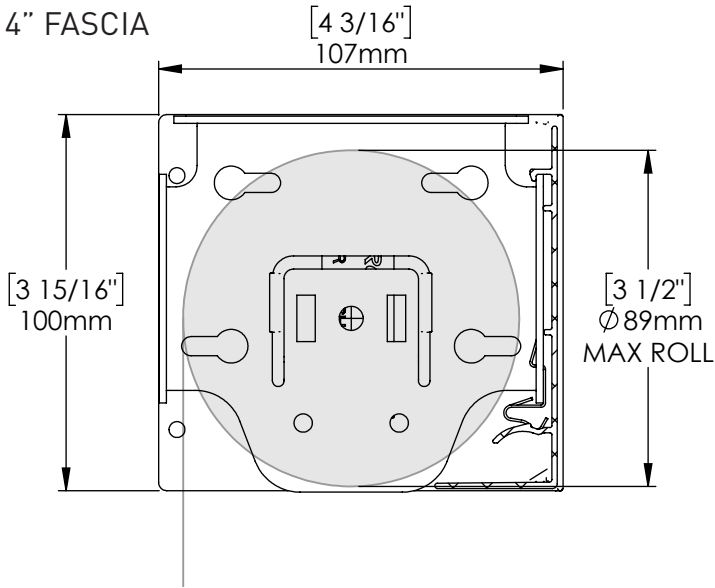
1. 4" Skyline Square Fascia
2. 4" Skyline Fascia Bracket
3. 4" Skyline Bracket Cover
4. Skyline Bracket Clip

ARCHITECTURAL VIEWS

4" FASCIA



MAXIMUM ROLL DIAMETERS



System	Tube	Max Distance from back of bracket X
4"	1-1/8"	37mm [1-7/16"]
	1-1/4"	35mm [1-3/8"]
	1-1/2"	32mm [1-1/4"]
	2"	26mm [1"]
	2-1/2"	19mm [3/4"]

SYSTEM OPTIONS

CONTROL OPTIONS



COLOR OPTIONS



WHITE



VANILLA



ANODISED



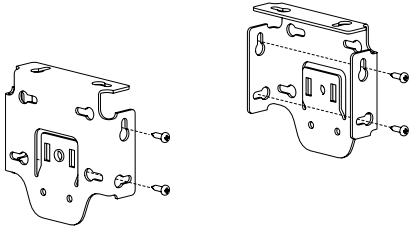
BLACK



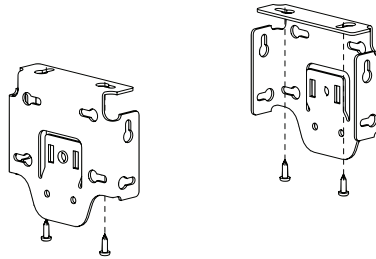
BRONZE

4" FASCIA - SKYLINE

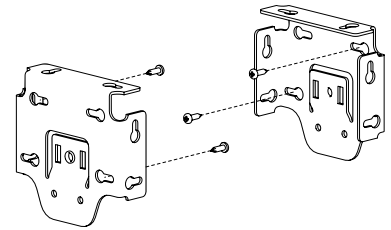
Wall Mount



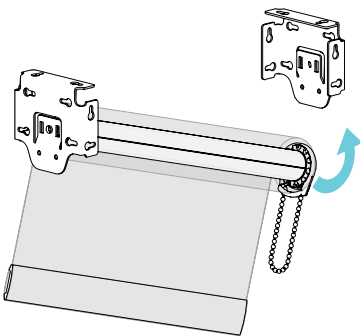
Ceiling Mount



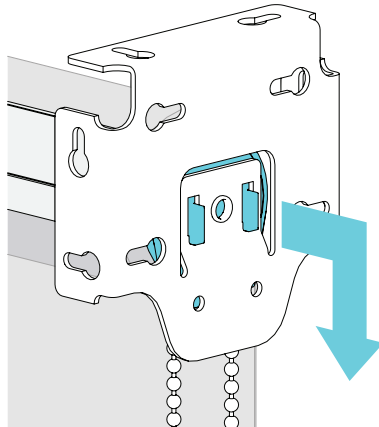
Inside Mount



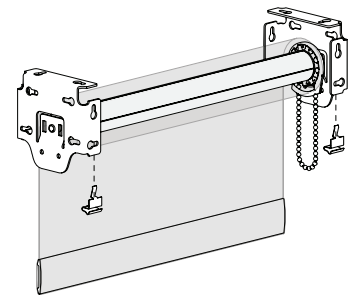
Compress Idler, swing assembly to bracket



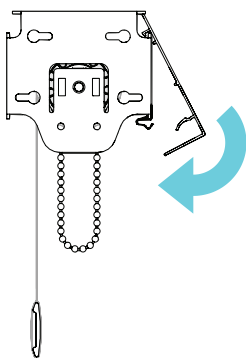
Ensure Clutch Hooks engage Bracket



Attach Bracket Clip



Attach Fascia Cover. Swing from top



Attach Bracket Covers

